

7/8" male 0° / 7/8" female 0°

PUR 5x1.5 gy UL/CSA+drag chain 0,6m

Male straight – female straight

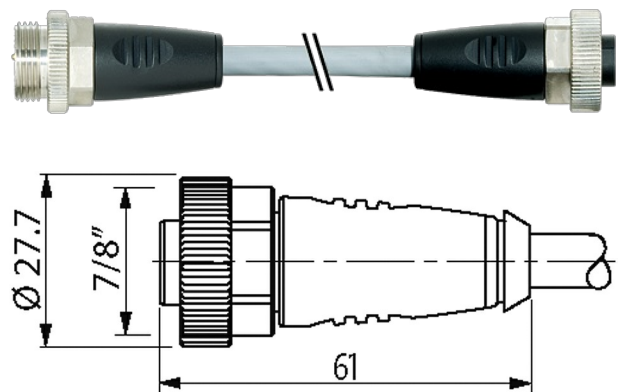
7/8" – 7/8", 5-pole

Power cable

Further cable lengths on request.

Plastic housings with good resistance against chemicals and oils.

The resistance to aggressive media should be individually tested for your application. Further details on request.

Link to Product**Illustration**

Product may differ from Image

Approvals

| | |
|--------|--|
| cCSAus | * only for products with UL/CSA approved cable |
|--------|--|

Form

Form 50021

General data

Temperature range -25...+85 °C, depending on cable quality

Cables

| | |
|----------------------------|-------------------------------|
| No./diameter of wires | 5 × 1.5 mm ² |
| Wire isolation | PP (br, wh, bl, bk, gnye) |
| C-track properties | 5 Mio. |
| Material (jacket) | PUR (UL/CSA) |
| Outer Ø | 8.7 mm ±5% |
| Bend radius (moving) | 10 × outer Ø |
| Temperature range (fixed) | -50...+80 °C |
| Temperature range (mobile) | -20...+80 °C |
| Cable identification | 961 |
| Cable Type | 3 (PUR) |
| Approval (cable) | cURus (AWM-Style 21223/10492) |
| Cable weight [g/m] | 129,80 |
| Material (wire) | Cu wire, bare |
| Resistor (core) | max. 13.3 Ω/km (20 °C) |

| | |
|------------------------------------|--|
| Single wire Ø (core) | 0.15 mm |
| Construction (core) | 84× 0.15 mm (multi-strand wire class 6) |
| Diameter (core) | 5× 1.5 mm ² |
| AWG | similar to AWG 16 |
| Material (wire isolation) | PP |
| Material property (wire isolation) | CFC-, halogen-, cadmium-, silicone- and lead-free |
| Shore hardness (wire isolation) | 60 ±5 D |
| Wire-Ø incl. isolation | 2.3 mm ±5% |
| Color/numbering of wires | bl, bk, wh, br, num; gnye longitudinally striped |
| Stranding combination | 5 wires twisted around central filler |
| Shield | no |
| Material (jacket) | PUR |
| Material property (jacket) | CFC-, halogen-, cadmium-, silicone- and lead-free, matt, low-adhesion, machine easy to process, abrasion-resistant, hydrolysis and microbial resistant |
| Shore hardness (jacket) | 90 ±5 A |
| Outer-Ø (jacket) | 8.7 mm ±5% |
| Color (jacket) | gray |
| chemical resistance | good resistance to oil, gasoline and chemicals (EN 60811-404) |
| thermal resistance | flame retardant UL 1581 VW1 / CSA FT1 / IEC 60332-1, IEC 60332-2-2 |
| Nominal voltage | 1000 V AC |
| Test voltage | 10.0 kV |
| Current load capacity | to DIN VDE 0298-4 |
| Temperature range (fixed) | -50...+80 °C |
| Temperature range (mobile) | -20...+80 °C |
| Bend radius (fixed) | 7.5× outer Ø |
| Bend radius (moving) | 10× outer Ø |
| No. of bending cycles (C-track) | max. 5 Mio. (25 °C) |
| Traversing distance (C-track) | max. 5 m (horizontal) |
| Travel speed (C-track) | max. 3.3 m/s |
| Acceleration (C-track) | max. 5 m/s ² |
| Torsion stress | ±180°/m |
| No. of torsion cycles | max. 2 Mio. (25 °C) |
| Torsion speed | 35 cycles/min |
| Jacket Color | gray |

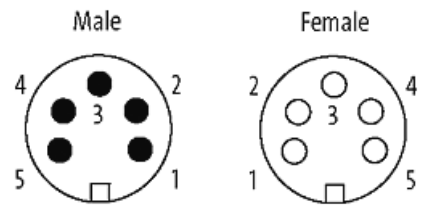
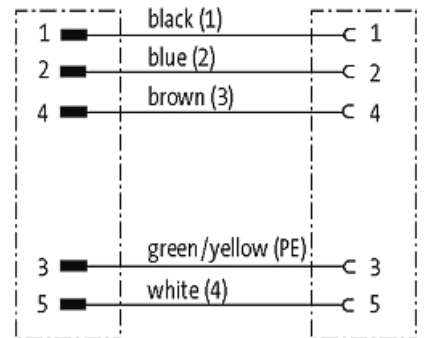
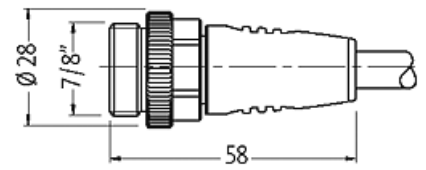
Technical Data

| | |
|-------------------------------|---|
| Operating voltage | max. 230/400 V AC/DC |
| Rated surge voltage | 3.0 kV |
| Operating current per contact | max. 12 A |
| Locking of ports | Screw thread 7/8" (recommended torque 1.5 Nm) self-securing |
| Protection | IP67 inserted and tightened (EN 60529) |

Commercial data

| | |
|-----------------------|---------------|
| country of origin | CZ |
| customs tariff number | 85444290 |
| EAN | 4048879138772 |
| eClass | 27279218 |
| Packaging unit | 1 |

Sketch



Product may differ from Image